

FEATURES:

Built for Long Life & Continuous Duty

Unique design provides high strength, fewer potential leak points and solid construct for severe duty.

High Performance/Fast Cycle Times

Provides high, first stage flows well into the work cycle. This extra power provides higher speeds in Prestressing, Bending, Criming, Compressing & Post-Tensioning applications.

Cool Running & Dependable Performance

High first stage performance is achieved through field proven Gear Pump technology. In addition to gear pumps, an unloading valve passes full power to the second stage once crossover pressure is reached. No power is lost and less heat is generated.

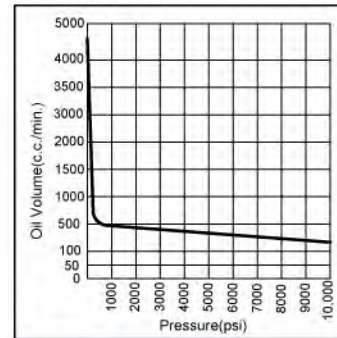
Quiet Operation

Low motor RPM, internally lubricated bearings and close coupled motor mounting make these pumps among the quietest on the market (About 80dBA at 700 bar.).

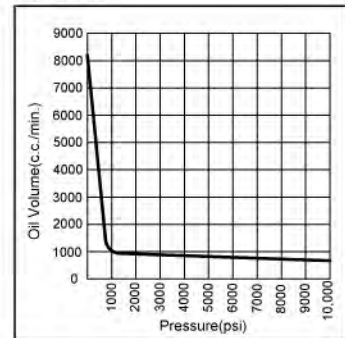
Starts full Load/Runs on Reduced Voltage

Our pump motors run well within their recommended duty factors drawing less amps, creating less heat and lasting longer than competitive pump motors.

EP13 & EP18



EP211



Glance Descriptions

- Two Speed operation
- Low weight & compact design
- 1/2 HP & 1 1/2 HP 230V 50/60 Hz Universal motor
- 24V, 3M remote control cord.
- Thermal protected induction motor
- Meet CE requirements

1/2 HP & 1 1/2 HP Electric Pumps - 700 bar

Acting	Model No.	Max. Pressure Output (psi)	Amp Draw 110V/220V at 10000 psi	Valve		Oil Del. (c.c./min. @)*			
				Type	Function	0(psi)	100(psi)	5000(psi)	10000(psi)
Single	EP13S	10000	9.6/4.8	2 Position / 2 Way	Adv./Hold /Retract	4200	3100	330	260
	EP18S	10000	9.6/4.8			4200	3100	330	260
	EP211S	10000	22.6/11.3			8200	7400	840	650
Double	EP13D	10000	9.6/4.8	3 Position / 4 Way		4200	3100	330	260
	EP18D	10000	9.6/4.8			4200	3100	330	260
	EP211D	10000	22.6/11.3			8200	7400	840	650

* Typical delivery. Actual Flow will vary with field conditions.

Model No.	RPM	Reservoir Capacity (c.c.)	Motor	A (mm)	B (mm)	C (mm)	D (mm)	E (mm)	F (mm)	G (mm)	Weight W/O Oil (kg)
EP13 Series	50 Hz/2560	3000	0.37 kW, 220V, 50/60 Hz, Single Phase	511	149	296	251	405	27	149.4	27
EP18 Series	50 Hz/2560	8000	0.37 kW, 220V, 50/60 Hz, Single Phase	505	142	312	251	395	312	149.4	31
EP211 Series	60 Hz/2860	11000	1.12 kW, 220V, 50/60 Hz, Single Phase	555	170	229	180	480	350	300	37

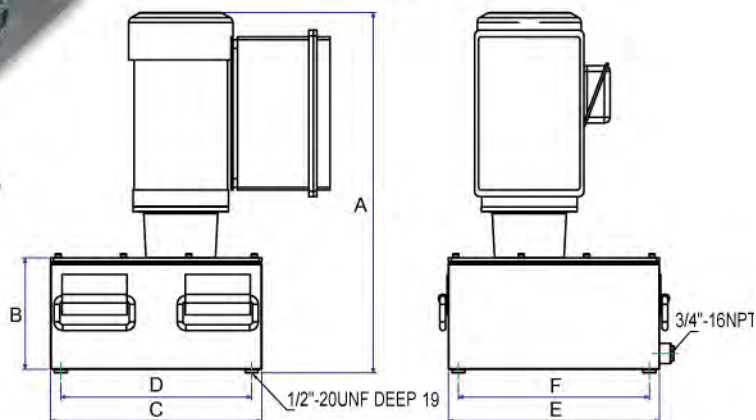


EP320D



EP420S

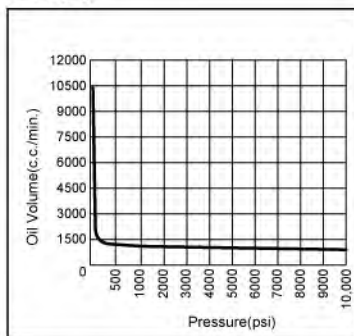
MODEL:EP320/EP420



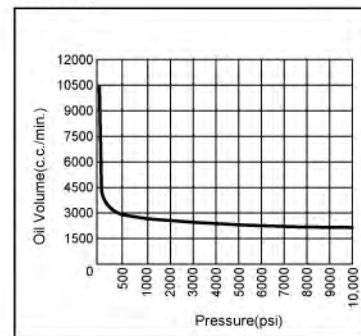
FEATURES:

- Start and operate under full load, even with voltage reduced 10%.
- Internal relief valve limits pressure to 700 bar accordingly.
- Pump prewired at factory with 1.49kW and 2.24kW, 380V, 50 Hz, 3 phase motor.
- 24 volt control circuits on units with remote controls for added user/operator safety.
- 3 phase motor with thermal overload protection.
- Pumps operate below maximum OSHA noise limitation.

EP320



EP420



2 HP & 3 HP Electric Pumps - 700 bar

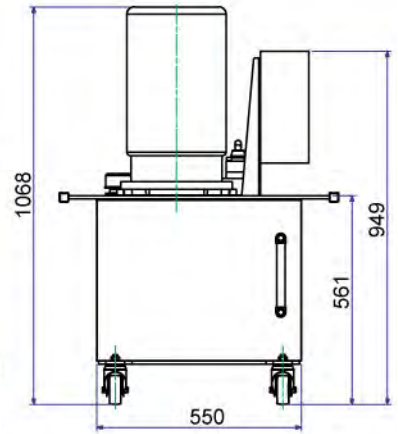
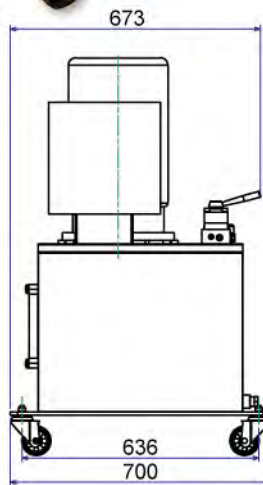
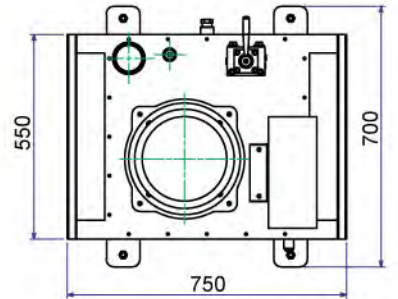
Pressure:
10 000 psi = 690 bar = 69 Mpa

Model No.	Reservoir Capacity (c.c.)	RPM	Motor	Max. Pressure Output (psi)	Amp Draw 220V/380V at 10000 psi	Oil Del. (c.c./min. @) * (60 Hz)			
						100(psi)	1000(psi)	5000(psi)	10000(psi)
EP320 Series	20,000	50Hz/1435	1.49 KW 220/380V 50/60 Hz 3 Phase	10,000	7.1/4.1	9,500	1,100	1,060	980
EP420 Series		60 Hz/1735	2.24 KW 220/380V 50/60 Hz 3 Phase	10,000	9.8/5.7	9,500	2,600	2,100	1,950

Model No.	RPM	Reservoir Capacity (c.c.)	Motor	A (mm)	B (mm)	C (mm)	D (mm)	E (mm)	F (mm)	Weight W/O Oil (kg)
EP320 Series	50Hz/1435	20,000	1.49 KW 220/380V 50/60 Hz, 3 Phase	623	193	365	330	365	330	108
EP420 Series	60 Hz/1735		2.24 KW 220/380V 50/60 Hz, 3 Phase	623	193	365	330	365	330	108



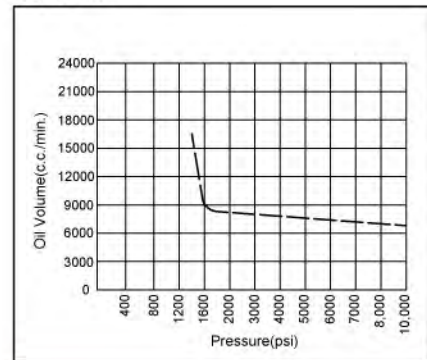
MODEL: EP5100
 USABLE OIL CAP. : 80L
 OIL CAPACITY: 100L



FEATURES:

- Two-speed high output pump delivers up to 16 l/min of oil.
- Low noise level of 73 - 80 dBA.
- Pump prewired at factory with 7.46kW, 380V, 50 Hz, 3 phase motor.
- 24 volt control circuits on units with remote controls for added user/operator safety.
- 3 phase motor with thermal overload protection and has all the electric components necessary to operate the pump
- Power switch are 24 volts. EP5100D has a 4-way/3-position manual valve. EP5100DS has a 4-way/3-position solenoid valve with a 24 volt remote switch.
- 100L (80L usable) reservoir has a low oil leve sight gauge.

EP5100



2 HP & 3 HP Electric Pumps - 700 bar

Model No.	Reservoir Capacity (l)	RPM	Motor	Max. Pressure Output (psi)	Amp Draw at 10000 psi	Oil Del. (l/min at..)			
						100(psi)	1000(psi)	5000(psi)	10000(psi)
EP5100D	100	1437	7.46kW 380V 50 Hz, 3 phase	10,000	6	16	14	6	5.6
EP5100DS									

Model No.	RPM	Reservoir Capacity (l)	Motor	A (mm)	B (mm)	C (mm)	D (mm)	E (mm)	F (mm)	Weight W/O Oil (kg)
EP5100D	1437	100	7.46kW 380V 50 Hz, 3 phase	1068	700	700	561	550	636	232
EP5100DS										241