

Max. Working Pressure 700 bar / 10,000 psi  
 Large 3/8" pressure port for maximum flow  
 Low Handle effort for easy operation  
 Single & Two speed models



Model No.:AHP703D



Model No.:AHP703



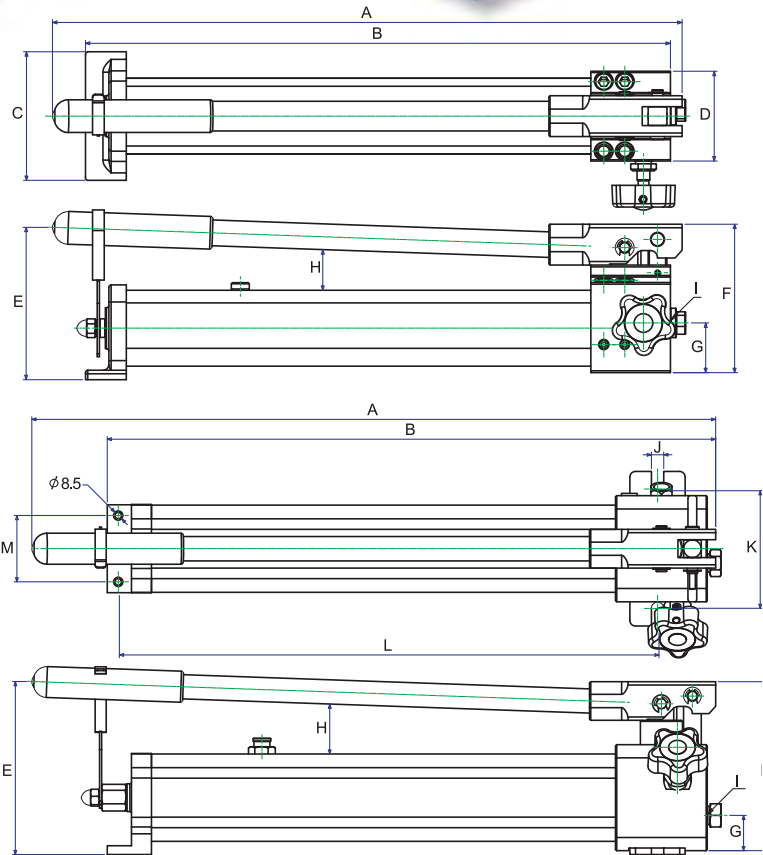
Model No.:UHP2800



Model No.:AHP702

### FEATURES:

- Our hand pumps are always featured with their rugged construction and low handle efforts.
- Aluminum Alloy construction and hand-size release knob with anti-lossing mechanism are truly Suitable to industrial requirements and your daily works.
- Special design with aluminum alloy construction as much light weight is ideally for easy portability and maneuvering.
- Double action design on AHP7030D is ideal for using with double acting cylinders, no extra controlling valve and adapters needed.
- 40,000 psi model brings you the special ultra high pressure application but with light weight.



Hoses & Adaptors



Manifolds & Control Valves

### SPECIFICATIONS

Model No.	Pressure Rating (bar)		Usable Oil Capacity (c.c.)	Oil Volume Per Stroke (c.c.)		A (mm)	B (mm)	C (mm)	D (mm)	E (mm)	F (mm)	G (mm)	H (mm)	I	J (mm)	K (mm)	L (mm)	M (mm)	Weight (kgs)
	1st stage	2nd stage		1st stage	2nd stage														
AHP701	13.8	700	350	12.9	1	391	361	110	77	140	127	42.5	37	3/8"-NPT	--	--	--	--	2.3
AHP702	13.8	700	1000	12.9	2.3	542	513	110	77	130	127	42.5			--	--	--	--	3.5
AHP703	13.8	700	2000	12.9	2.3	623	556	150	102	135	135	50			--	--	--	--	6
AHP704	13.8	1000	1000	12.9	1.65	539	501	110	77	145	127	42.5			--	--	--	--	3.5
AHP705	13.8	1500	2000	6.5	1	699	629	150	102	152	157	50			3/4"-16UNF	--	--	--	--
AHP703D	13.8	700	2000	12.9	2.3	623	556	150	102	135	135	24/37	3/8"-NPT	--	--	--	--	7.0	
UHP2800	14	2800	1000	12.9	0.65	620	488	80	140	108	157	26	3/4"-16UNF	11.2	108	165.5	60	5.3	